

OPULENCE "His" WALL-HUNG BASIN

Cat. No
4-361, 368



Faucet not included

W: 22-7/8"
D: 18-1/2"
H: 4-3/4"

Interior Dimensions:

Basin Interior:	18-1/2" x 12"
Basin Depth:	4-1/2"
Water depth to overflow:	3-1/4"
Back of basin to center of faucet:	2-3/8"
Back of basin to center of drain:	9"
Depth to overflow:	3"
Mount holes cc:	10-5/8"
Faucet and spout holes:	1-3/8"

Features:

- ▶ Fine fire clay construction
- ▶ Trapezoid shape
- ▶ Pre-drilled overflow hole
- ▶ Rectangular basin
- ▶ Available pre-drilled for 1-hole (4-361WH), 4" centerset (4-366WH) and 8" widespread (4-368WH)
- ▶ Mounting hardware included

Colors:

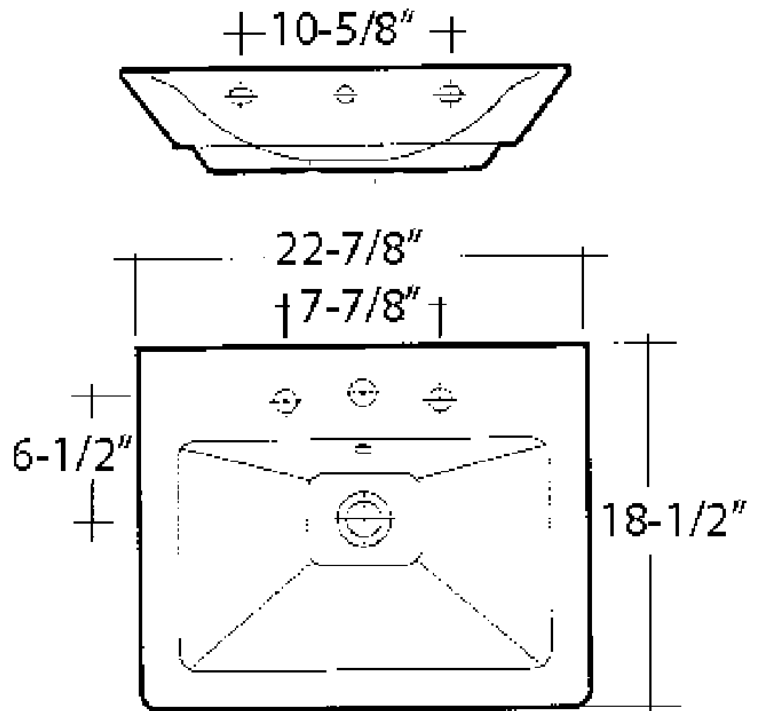
WH White



Mounting hardware

Compliance Certification

Meets or exceeds the following specifications: ASME A112.19.2 2018 and CSA B45.1-18 for ceramic plumbing fixtures.



Dimensions of fixture are nominal and may vary within the range of tolerances established by ASME Standard A112.19.2.2018. Dimensions and specifications subject to change without notice.